



BOSCH
Invented for life

VDC-2xx-1 Series 1/3" Color Varifocal Dome Cameras



- ▶ Varifocal Color Dome Cameras
- ▶ 1/3-inch Format Standard and High Resolution
- ▶ 2.6 - 6 mm and 4-9 mm Varifocal lenses to match
- ▶ High Sensitivity
- ▶ BLC, AGC on/off switchable
- ▶ Electronic shutter and AGC for varying light levels

The VDC-2xx-1 Series Dome Cameras are compact High and Standard Resolution cameras in stylish surveillance domes. The high performance 1/3-inch CCD cameras come with a choice of 2.6 - 6 mm or 4-9 mm VariFocal lenses. High and standard resolution color versions are available. The Dome Cameras are easily surface mounted on ceilings or walls to elegantly blend with their environment.

Camera configurations are readily set using the easily accessible switches for Auto Gain Control, Back Light Compensation, Flickerless and Iris level control.

Enhanced picture quality, true color reproduction and outstanding reliability make these domed cameras an excellent choice for indoor applications in retail, museums, malls and bank or hotel lobbies.

Technical Specifications**Electrical**

| | | |
|-------------------------------|-----------------------------------|-------------|
| Pickup device: | 1/3" Interline transfer Color CCD | |
| Video format: | PAL | |
| Scanning system: | PAL: 625 TV lines, 50 fields/sec. | |
| Picture elements: | Std. Res. | High Res. |
| | 500H x 582V | 752H x 582V |
| Horizontal resolution: | 380 TVL | 480 TVL |
| Sensitivity: | | |
| Minimum Illumination (30 IRE) | 0.27Lux | 0.3 Lux |
| S/N ratio: | > 48 dB (AGC Off) | |
| Varifocal lens: | 2.6 - 6mm F1.4 or 4-9 mm, F1.5 | |
| Back light comp.: | On / Off Switchable | |
| Auto Gain Control: | On / Off Switchable | |
| Flickerless | On / Off Switchable | |
| Auto white balance: | Yes | |
| Gamma correction: | <0.45 | |
| Video output: | BNC, 1.0Vp-p/75ohm | |
| Sync. mode: | Internal sync | |
| Power source | 12VDC/24VAC Dual power | |
| Power consumption: | 3W max. | |

Mechanical

| | |
|------------|----------------------------|
| Mounting | Mounts on wall or ceiling. |
| Dimension: | 108 mm (O.D.) x 80 (D) mm |
| Weight : | 460g |

Environmental

| | |
|--------------------------------|-------------------------------------|
| Temperature range: | |
| Operating: | +0°C to +45 °C |
| Storage: | -25 °C to +70 °C |
| Humidity: | 20% to 80% relative, non condensing |
| Electromagnetic Compatibility: | |
| EMC: | CE immunity, CE Emission class B |
| Safety: | CE |

Asia-Pacific:
 Bosch Security Systems Pte Ltd
 38C Jalan Pemimpin
 Singapore 577180
 Phone:+65 6319 3450
 Fax:+65 6319 3499
 apr.securitysystems@bosch.com
 http://www.boschsecurity.com

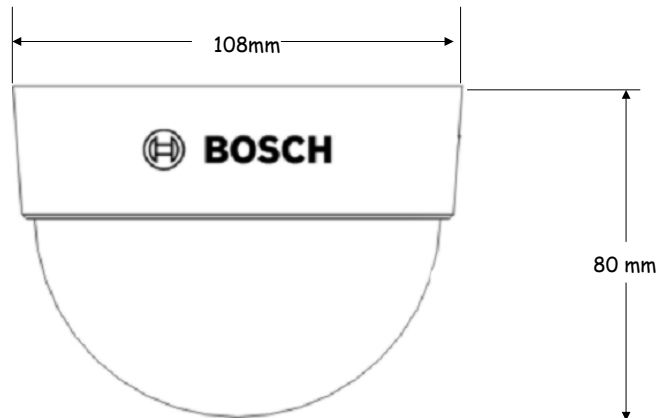
Data subject to change without notice | Printed in the Netherlands | 30 March 2006

Ordering Information**Model & Description**

| | |
|-----------|--|
| VDC-230-1 | 1/3-inch, 380 TVL Color PAL, 12VDC, 2.6 -6 mm F1.4 Varifocal lens |
| VDC-231-1 | 1/3-inch, 380 TVL Color PAL, 12VDC, 4-9 mm F1.5 Varifocal lens |
| VDC-240-1 | 1/3-inch, 480 TVL Color PAL, 12VDC/24VAC, 2.6-6 mm F1.4 Varifocal lens |
| VDC-241-1 | 1/3-inch, 480 TVL Color PAL, 12VDC/24VAC, 4-9 mm F1.5 Varifocal lens |

Parts Included

- 1 VDC-2xx-1 VariFocal Dome camera
- 2 Installation Manual

Dimensions

Represented by